

ME2P-2621-4GM-P NIR

26MP CMOS GigE Area Scan Camera



GEN*i*CAM



The ME2P-2621-4GM-P NIR camera is a NIR GigE Vision camera with the Gpixel GMAX0505 CMOS sensor. Four-side mounting holes provide maximum installation flexibility. Thanks to the extremely compact, robust metal housings and locking screw connectors, the MERCURY2 Plus cameras can secure the reliability of cameras deployed in harsh environments.

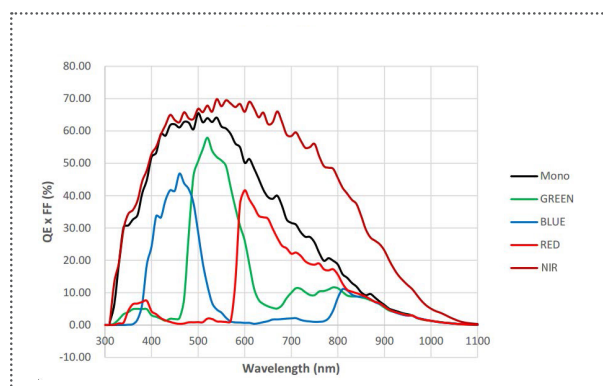
Applications

Suitable for machine vision applications such as industrial inspection, medical, scientific research, education and so on.

Features

- Gamma, Black Level, Digital Shift
- Binning, Decimation
- Static Defect Correction
- Noise Reduction
- Timer, Counter, LUTs and User Set Control

Spectral Response



Specifications

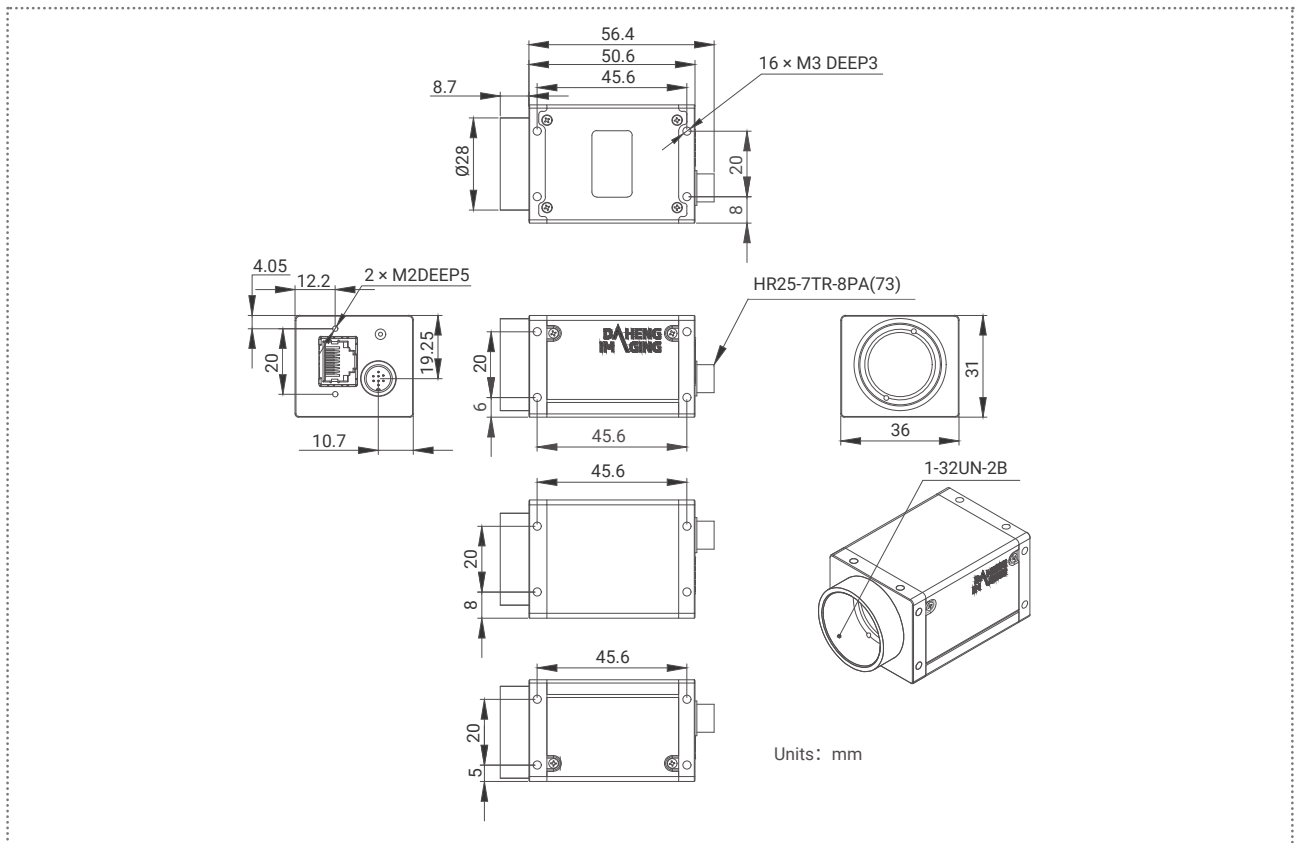
Model	ME2P-2621-4GM-P NIR
Resolution	5120(H) × 5120(V)
Sensor	Gpixel GMAX0505 Global shutter CMOS
Sensor Format	1.1"
Pixel Size	2.5μm × 2.5μm
Frame Rate	4.5 fps
ADC	12 bit
Pixel Bit Depth	8 bit, 12 bit
Mono/Color	Mono, NIR
Pixel Formats	Mono8 / Mono12
SNR	35.93 dB
Exposure Time	Standard: 14μs~1s, Actual Steps: 1μs
Gain	0dB~16dB, Default: 0dB, Steps: 0.1dB
Binning	1×1, 1×2, 1×4, 2×1, 2×2, 2×4, 4×1, 4×2, 4×4
Decimation	Horizontal FPGA, Vertical Sensor: 1×1, 1×2, 1×4, 2×1, 2×2, 2×4, 4×1, 4×2, 4×4
Synchronization	Hardware trigger, software trigger
Acquisition Control	Single frame, Continuous, Software trigger, Hardware trigger
Reverse X/Y	Reverse X/Y
I/O Interface	1 input and 1 output with opto-isolated, 2 programmable GPIOs
Data Interface	GigE PoE
Power Supply	PoE (Power over Ethernet, IEEE802.3af compliant) or 12VDC-10% ~ 24VDC+10% supplied via the camera's 8-pin Hirose connector
Typical Power	3.64 W @ 12 VDC, 4.36 W @ PoE
Operating Temp.	0° C ~ +45° C
Storage Temp.	-20° C ~ +70° C
Operating Humidity	10% ~ 80%
Lens Mount	C / CS
Dimensions	36(W) × 31(H) × 50.6(L) mm (without lens adapter or connectors)
Weight	75 g
Software	3rd-party software such as HALCON, VisionPro and LabVIEW
OS	32bit / 64bit Windows, Linux, Mac OS
Conformity	CE, RoHS, FCC, ICES, UKCA, GigE Vision®, GenICam®

I/O Interface



Pin	Definition	Description
1	Line 0+	Opto-isolated input +
2	GND	PWR GND & GPIO GND
3	Line 0-	Opto-isolated input -
4	POWER_IN	Camera external power, +12V DC~+24V DC
5	Line 2	GPIO input/output
6	Line 3	GPIO input/output
7	Line 1-	Opto-isolated output -
8	Line 1+	Opto-isolated output +

Technical Drawing



China Daheng Group, Inc. Beijing Image Vision Technology Branch

12F Daheng Science & Technology Tower, No.3 Suzhou Street, Haidian District, Beijing China, 100080

Tel: +86 10 82828878

E-mail: isales@daheng-imaging.com